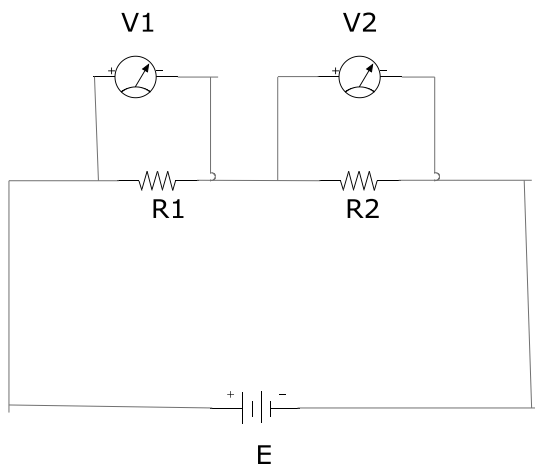


The above connection is a physical diagram of the following circuit diagram



- (1) Study the connection circuit diagrams & real equipments connection photos of the practicals.
- (2) Copy the physical pictures of relevant equipments from Practical Equipment PDF file.
- (3) Resize the pictures in word file. Print out & put the connection lines or use computer

